



**Maimin Technology Group, Inc.**

70 King Street, Elk Grove Village, Illinois 60007 USA

☎ 847-709-2500 • **FAX** 847-709-2599 • 🌐 [www.maimin.com](http://www.maimin.com) • email: [sales@maimin.com](mailto:sales@maimin.com)

---

**MODEL K-105**

**MANUAL END CUTTING SYSTEM**

**PARTS AND INSTRUCTIONS BOOK**

SERIAL NUMBER STARTING WITH EC15- OR EC25-

EFFECTIVE 12/02

From the library of: Superior Sewing Machine & Supply LLC

## SAFETY PRECAUTIONS

This instruction manual describes the operation and function of a Maimin End Cutting System. Read this manual carefully to ensure safe use and maximum performance from your machine.

Failure to follow instructions may lead to injury (cuts, electric shock, burns, fire, or injury to persons). This machine is for commercial use only. Read all instructions before using.

The purchaser must instruct all operators on the proper use of this equipment. All standard industrial safety measures and equipment should be provided to protect the operator. Operators must be cautioned that improper or careless use of this equipment may cause personal injury. If you do not have qualified operators to instruct new persons, contact MAIMIN directly, or an authorized distributor or representative.

## WARNINGS

### **Danger!**

### **Sharp Blade!**

### **Moving Parts!**

### **Electric Connections!**

Keep hands, fingers, all other bodily parts, clothing and jewelry away from blade and moving parts.

To reduce the risk of electric shock, do not install or store this machine in a wet location.

To reduce the risk of cuts, electric shock, burns, fire, or injury to persons:

1. Use machine only for its intended use
2. Turn machine to "OFF" (O) before connecting or disconnecting power cord
3. Connect this machine to a properly grounded outlet only. See Grounding Instructions.
4. Always disconnect electrical connection when not using, servicing, or maintaining machine.
5. Do not leave machine unattended while it is connected to a power outlet.
6. Do not operate machine with a damaged cord or if machine has sustained damage. Do not disassemble; use a qualified serviceman for repairs. Incorrect assembly can cause electric shock when the machine is used.
7. Keep hands, fingers, all other bodily parts, clothing and jewelry away from blade and moving parts.
8. Keep guards in place and in working order.
9. The knife key and other wrenches must be removed from the cutting machine before starting motor.
10. Keep ventilation openings free from dust and lint.
11. Keep machine clean and blade sharp for best and safest performance.

**THESE WARNINGS SHOULD BE POSTED IN A VERY CONSPICUOUS LOCATION IN  
CLOSE PROXIMITY TO THE MACHINE.**

## Grounding Instructions

This machine must be grounded. In the event of malfunction or breakdown, grounding provides a path of least resistance for electric current to reduce the risk of electric shock.

**Danger!** Improper connection to electric source can result in a risk of electric shock. Check with a qualified electrician or serviceman who is familiar with applicable codes and regulations if the grounding instructions are not completely understood or if in doubt as to whether this machine is properly grounded. Disconnect this equipment from electrical power source before proceeding with any disassembly for adjustment or repair.

Use correct wire sizes with this machine.

USA ONLY: 1 phase: Use AWG16/3 SJ, SJT or SJE

3 phase: Use AWG 16/4 SJ, SJT or SJE

INTERNATIONAL: 1P+N+: Use 3 x 1,0 mm CEE (2) 61

3P+: Use 4 x 1,0 mm CEE (2) 61

## General Precautions

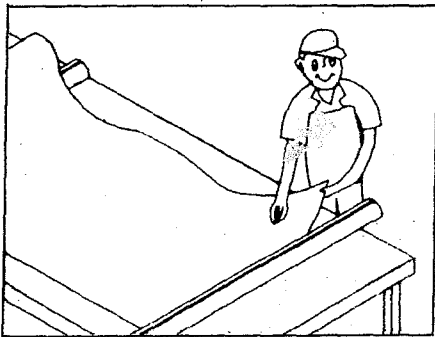
- This machine is equipped with a very sharp blade and other moving parts. Leave all guards in their proper position.
  - Always wear safety glasses when operating or servicing this equipment.
  - Do not operate until all instructions for this machine have been read.
  - This equipment includes a cutting machine that is designed to run at high speed across the track. Equipment should be set up with a minimum of 3 feet (1 meter) clear path at front and rear.
  - All personnel should be instructed to stand well clear of this equipment when in operation.
  - At startup and during operation, be sure to monitor the functions and performance of the machine and all components.
  - We recommend that you take substantial safety measures to avoid any damage in the event a problem occurs.
  - Do not open or modify the machine or any of its components or use these in any way other than described in the specifications.
  - Do not use the machine or any of its components for the purpose of protecting the human body.
- From the library of: Superior Sewing Machine & Supply LLC

## General Maintenance

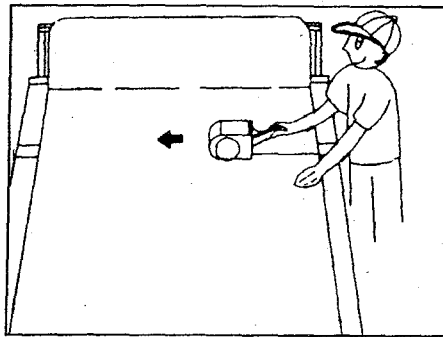
- **ADJUSTING THE SHARPENER:** When the blade is worn out, adjust the sharpening stone position by unscrewing the screw for the sharpener arm so as to ensure a correct distance between the sharpener and the blade edge. After finishing adjustment, tighten the screw.
- **REPLACING THE SHARPENING STONE:** Take off the Sharpening Stone (EC2626) by unscrewing it. Mount the new Sharpening Stone and tighten it.
- **REPLACING THE BLADE:**
  1. Remove the Sharpener Assembly (F)
  2. Unscrew the lock nut (G) for the blade.
  3. Remove the blade.
  4. Install a new blade, making sure the printed side is face out.
  5. Tighten the lock nut (G) for the blade.
  6. After replacing blade, replace the Sharpener Assembly and adjust correctly.
- **REPLACING THE LOWER BLADE**
  1. Remove the lower blade arm by unscrewing the screw (H) for the lower blade arm.
  2. Replace the lower blade by unscrewing the fixed screw, ensuring that the flat surface of the lower blade is adjacent to the blade edge.
- **REPLACING THE CARBON BRUSH**
  1. Carbon Brush Cap (I) is replaced by turning it left with wrench.
  2. Always replace right and left Carbon Brushes at the same time.
  3. Be sure to hold metallic part of the Brush. Keep fingers away from Carbon.
- **CLEANING THE TRACK AND THE MACHINE**
  1. Clean the Track with a brush thoroughly after each 10 to 20 hours of use.
  2. Take the machine out of the Track and thoroughly clean the L-shaped track with a brush after each 30 days of use.

## Operating Instructions

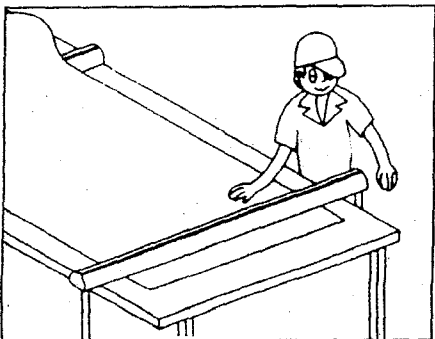
1. Before operating machine, **READ ALL SAFETY INSTRUCTIONS.**
2. Make sure Track is clean and clear of obstacles.
3. Connect the machine to a power source by plugging the Connector (458B) into the Terminal Block Assembly (405VX). Connector must first be attached to a power cord.
4. Sharpen the Blade (30331) 2-3 times by pushing on the Plunger (EC2623) to engage Stone (EC2626) against Blade.
5. To use the Counter (EC2635), reset it to 000 and turn Switch (EC2636) to On.
6. Pull material across the Track (EC265359) and pull to length.
7. Push Button in EC3601 Handle to activate Blade. Blade will stop when Button is released. Pull the cutter toward you to cut the material, and then return it to the far end of the Track.
8. Lift the Side Lift Assembly to allow material to fall underneath, and set it back down on top of the material.
9. Repeat process for each ply of material.



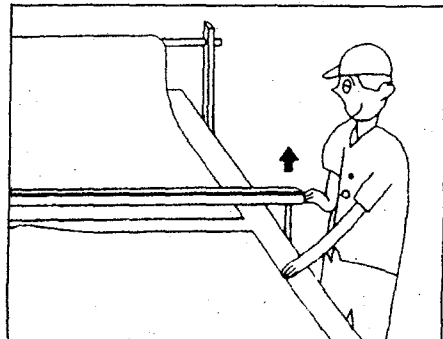
1-1



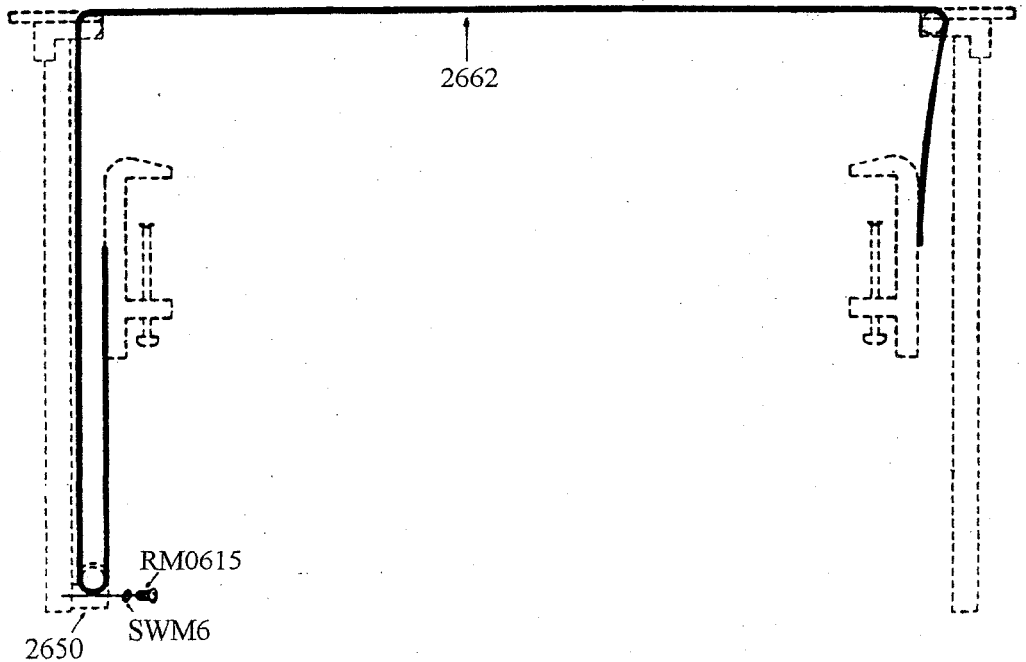
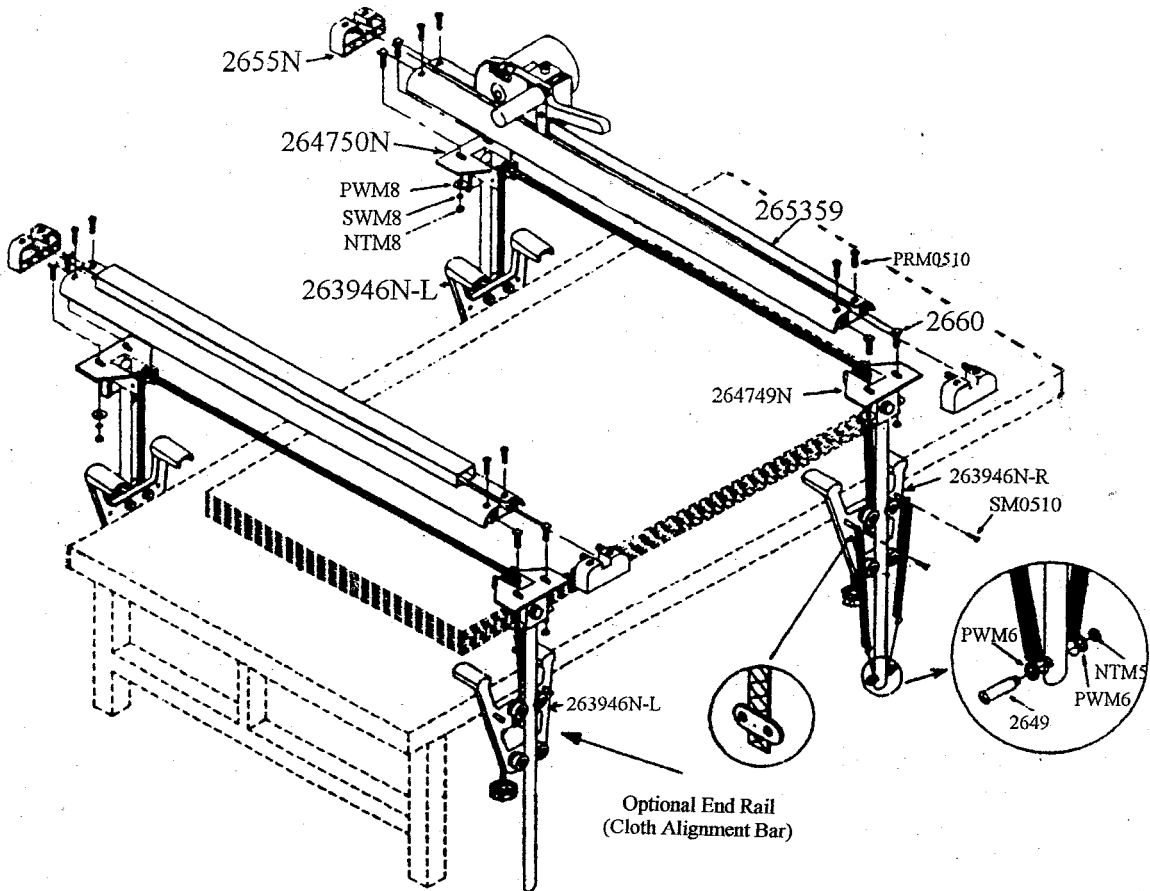
1-3

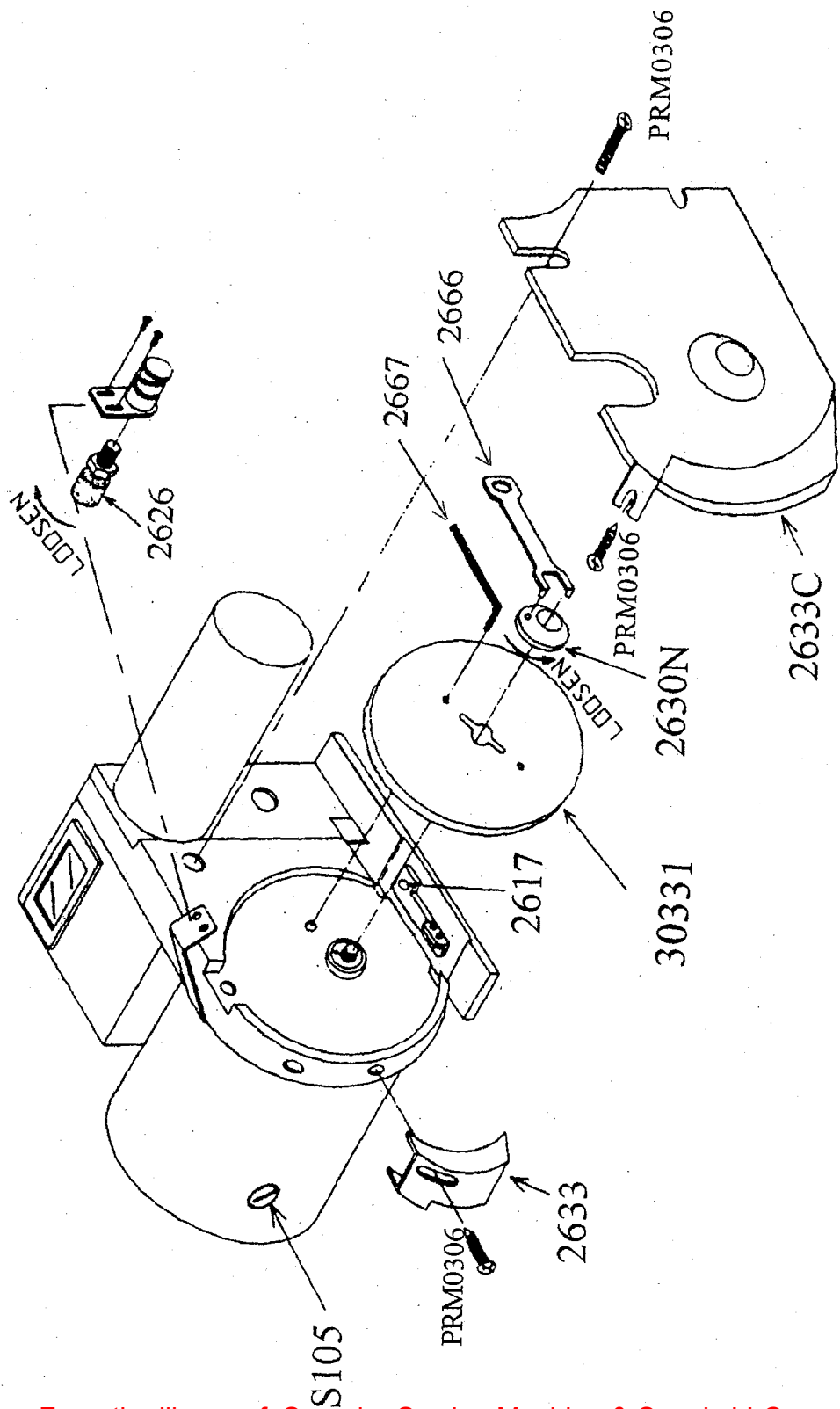


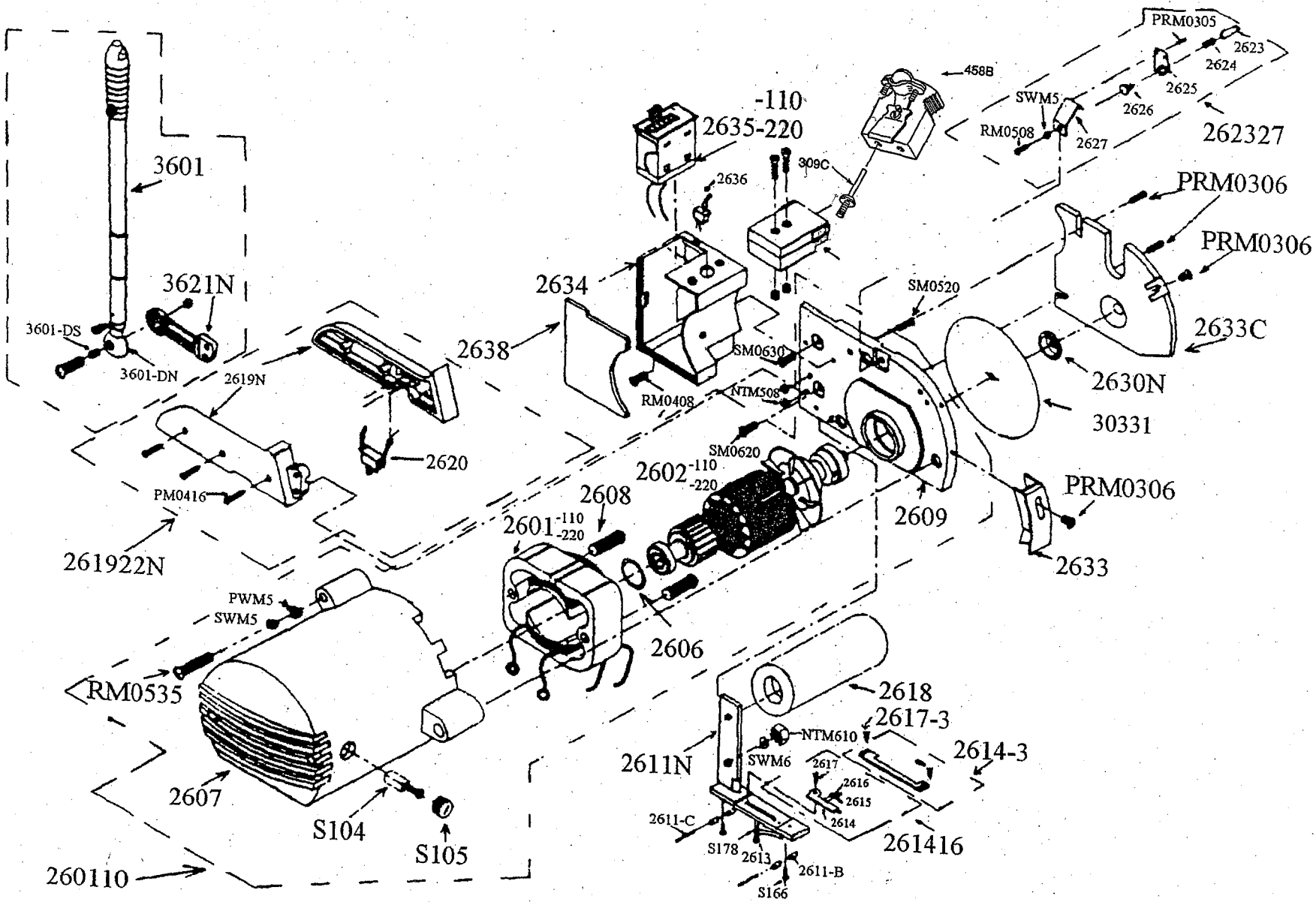
1-2



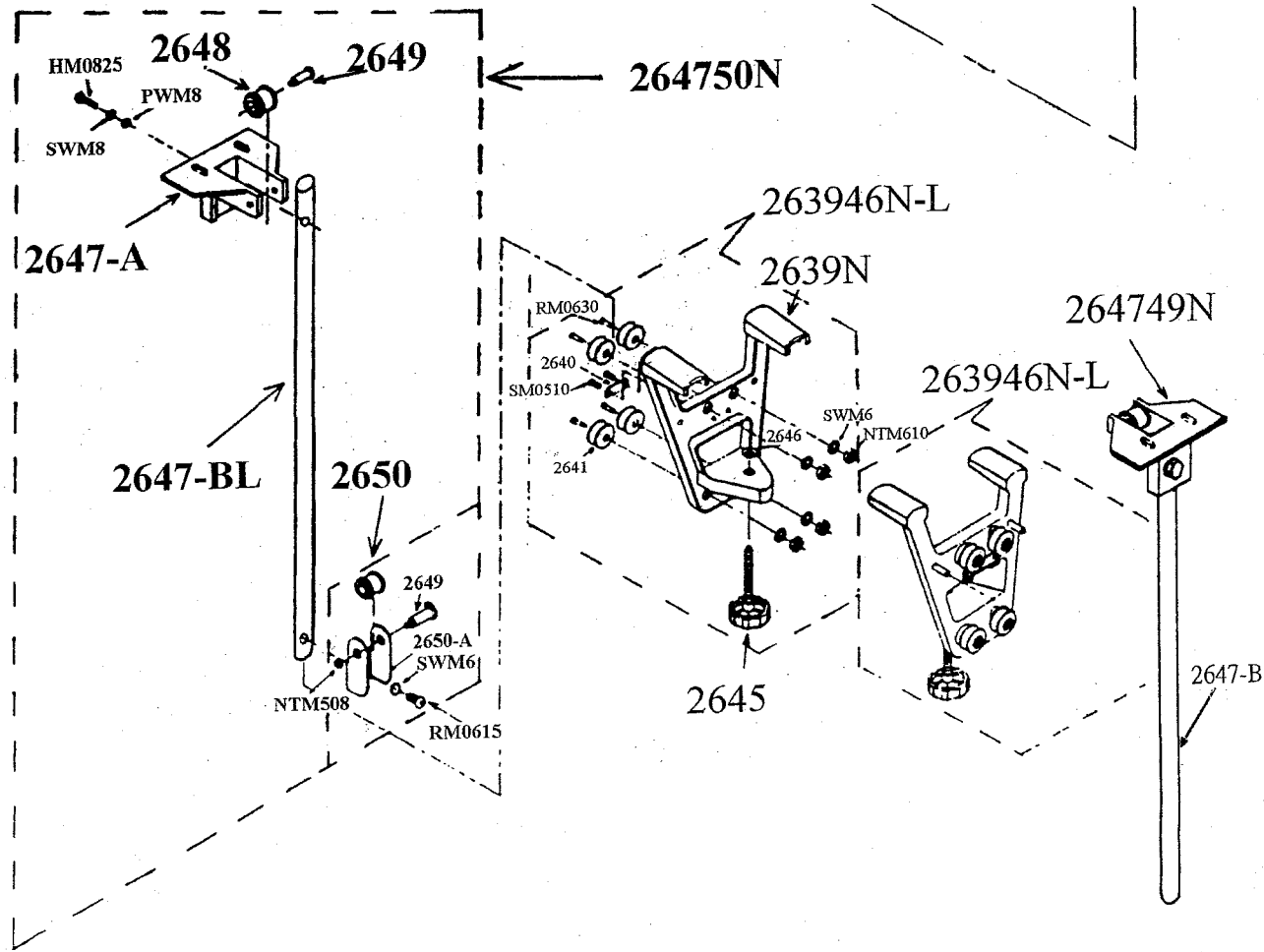
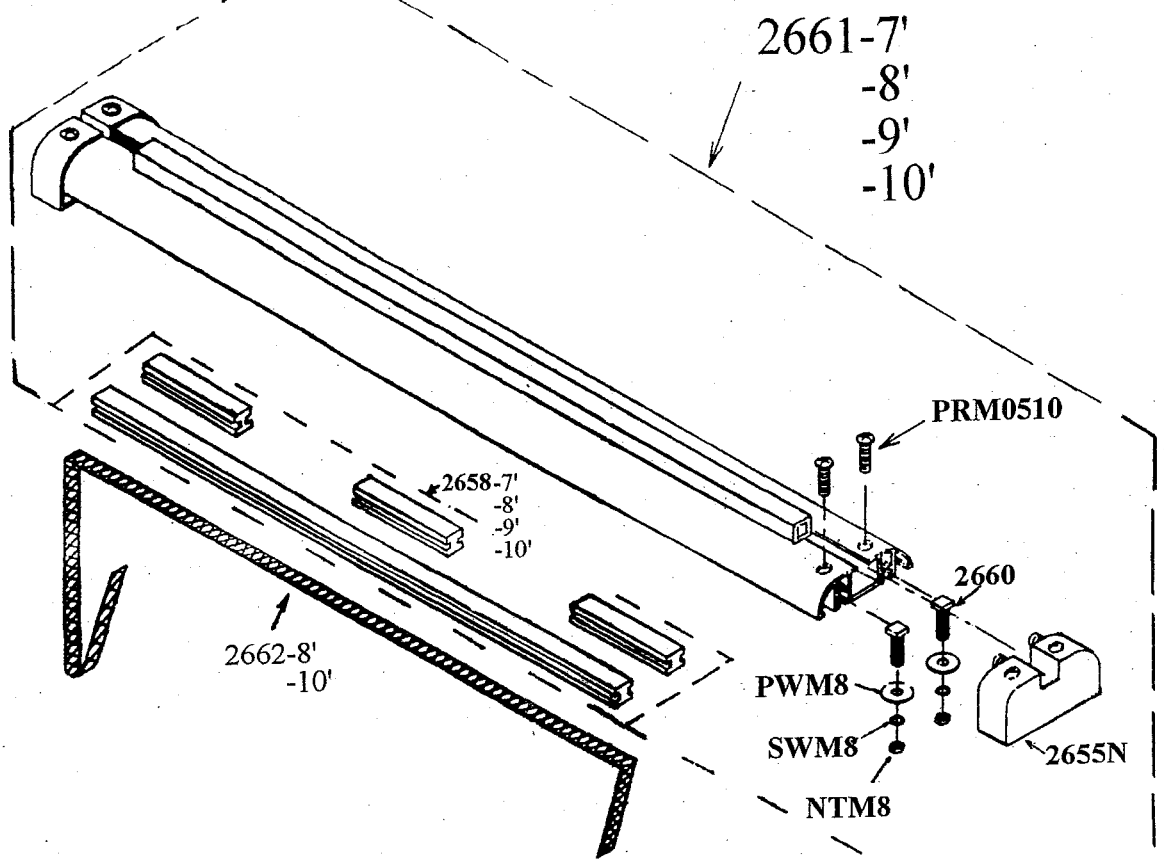
1-4













Diagrams do not show the letters "EC" which precede most part numbers.

PT NO.	DESCRIPTION	PART NO.	DESCRIPTION
30331	BLADE - ENDCUTTER - EA	EC 2017-9R	LENGTH SETTING TUNER
405NX	TERMINAL BLOCK ASSEMBLY	EC 2018	TRANSMISSION BASE COVER
458B	CONNECTOR 1PH	EC 2019	SPRING FOR EC2656
EC 2001	STANDARD FOR K-405	EC 2020	RAIL PLUG SOCKET
EC 2001-A	LINK FOR TIMING BELT	EC 2021	TRANSMISSION GEAR
EC 2002	MAGNET FOR SENSOR	EC 2021-A	SCREW FOR TRANSMISSION GEAR
EC 2003	LIFTER	EC 2022	F.R. MOTOR BASE
EC 2004	MAGNET BASE	EC 2022A	F.R. MOTOR TERMINAL BOX
EC 2005	CHAIN PENDANT	EC 2023N	REDUCTION GEAR
EC 2006	CHAIN	EC 2024	TRANSMISSION PULLEY BASE
EC 2006-A	CHAIN SCREW	EC 202427	TRANSMISSION PULLEY SET
EC 2007	GEAR LATCH	EC 2025-3	3-HOLE CABLE
EC 200725-110	TRANSMISSION MOTOR 110V	EC 2025-4	4-HOLE CABLE
EC 200725-220	TRANSMISSION MOTOR 220V	EC 2026	TRANSMISSION PULLEY
EC 2008	CHAIN GEAR	EC 202641	GUIDE ROLLER
EC 2009	F.R. MOTOR PLATE	EC 2027	PULLEY FIXED BLADE
EC 2010	REDUCTION GEAR	EC 2028	RAIL
EC 2010N	REDUCTION GEAR FOR LIFTING	EC 202830	K205 RAIL ASSEMBLY
EC 2011	F.R. MOTOR	EC 2029	MICRO SWITCH
EC 2011N-110	F.R. MOTOR 110V	EC 2030	RAIL PLUG SOCKET
EC 2011N-220	F.R. MOTOR 220V	EC 2031	SUSTAINING FRAME
EC 2012	MOTOR PLUG	EC 203136	SUSTAINING FRAME UNIT
012-5	CABLE 5-HOLE	EC 2032	ROCKER
EC 2012-7	CABLE 7-HOLE	EC 2032-B	ROCKER STOP SCREW
EC 2013	SENSOR SWITCH	EC 2032-C	ROCKER STOP SCREW COVER
EC 2015	LIFTING FIXED CLAMP	EC 2033	ROCKER SCREW
EC 2015-B	LIFTING MOTOR TERMINAL BLOCK	EC 2034	ROCKER BAR
EC 2016	CONTROL BOX STANDARD	EC 2037	CABLE 2-HOLES
EC 2017-1	START SWITCH	EC 203741	WIRE FRAME ASSEMBLY
EC 2017-10	FUSE BASE	EC 2038	WIRE SUPPORT BASE
EC 2017-11	PLUG 2-HOLES	EC 2039	WIRE SUPPORT LEVER
EC 2017-110	CONTROL BOX ASSEMBLY 110V	EC 2040	WIRE BRACKET ARM
EC 2017-12	PLUG 5-HOLES	EC 2041	SPRING FOR WIRE STAND
EC 2017-13	PLUG 7-HOLES	EC 2042	TIMING BELT
EC 2017-133	PLUG 3-HOLES	EC 2043	2 PIN PLUG
EC 2017-134	PLUG 4-HOLES	EC 2044	ELECTRIC BOX
EC 2017-14-110	PC BOARD 110V	EC 2044-1	UP SWITCH
EC 2017-14-220	PC BOARD 220V	EC 2061	CLOTH PRESS TRACK SET
EC 2017-15	CONTROL BOX CASE	EC 2063	LIFT SET COVER
EC 2017-16	CONTROL BOX COVER	EC 260110-110	110V MOTOR ASSEMBLY
EC 2017-2	DOWN SWITCH	EC 260110-220	220V MOTOR ASSEMBLY
EC 2017-220	CONTROL BOX ASSEMBLY 220V	EC 2601-110	110V STATOR
EC 2017-3	UP SWITCH	EC 2601-220	220V STATOR
EC 2017-4	EMERGENCY STOP SWITCH	EC 2602-110	110V ARMATURE
EC 2017-5	SHARPEN SWITCH	EC 2602-220	220V ARMATURE
EC 2017-8	POWER SWITCH	EC 2606	O RING
EC 2017-9	LENGTH SETTING TUNER CAP	EC 2607	MOTOR COVER



Diagrams do not show the letters "EC" which precede most part numbers.

PART NO.	DESCRIPTION	PART NO.	DESCRIPTION
EC 2608	SCREW FOR STATOR	EC 2649	ROLLER SHAFT
EC 2609	MOTOR PLATE	EC 2650	ROLLER SET
EC 2611-B	ROLLER	EC 2653	TRACK ONLY
EC 2611-C	ROLLER SHAFT	EC 265359	TRACK ASSEMBLY
EC 2611N	STANDARD	EC 2654	SQUARE NUT
EC 2613	SCREW FOR PRESSURE SPRING	EC 2655	RAIL GUARD
EC 2614	LOWER BLADE ARM	EC 2655N	RAIL GUARD
EC 2614-3	LOWER BLADE #3	EC 2656	IMPACT-RESISTANT RUBBER
EC 261416	LOWER BLADE SET	EC 2657	STEEL BELT
EC 2615	LOWER BLADE	EC 2658	RUBBER BELT
EC 2616	SCREW FOR LOWER BLADE	EC 2660	SCREW FOR RAIL
EC 2617	SCREW FOR LOWER BLADE ARM	EC 2662	LIFT BELT
EC 2617-3	SCREW FOR LOWER BLADE #3	EC 2663C1	CABLE SET 110V
EC 2618	BALANCE IRON	EC 2663C2	CABLE SET 220V
EC 261922N	DRIVE HANDLE SET	EC 3601	HANDLE
EC 2619N	HANDLE COVER	EC 3601-DS	SPRING
EC 2620	SWITCH	EC 3601-DN	REAR ARM
EC 2623	SHARPENER COLLAR	EC 3621N	FRONT ARM
EC 262327	SHARPENER ASSEMBLY	EC S104	CARBON BRUSH
EC 2624	SPRING FOR SHARPENER COLLAR	EC S105	CAP FOR CARBON BRUSH
EC 2625	STONE ARM (TOP)	EC S169	OILER
EC 2626	STONE COMPLETE	EC S178	PRESSURE SPRING FOR LOWER BLADE
EC 2627	SHARPENER ARM	EC NTM508	NUT M5-0.8
EC 2630N	LOCK NUT FOR KNIFE	EC NTM610	NUT M6-1.0
EC 2633	KNIFE GUARD	EC NTM8	NUT M8-1.25
EC 2633C	KNIFE COVER	EC PM0416	SCREW M4
EC 2634	TERMINAL BOX	EC PRM0305	SCREW M3X5
EC 2635-110	COUNTER 110V	EC PRM0306	SCREW M3X6
EC 2635-220	COUNTER 220V	EC PRM0510	SCREW M5X10
EC 2636	COUNTER SWITCH	EC PWM5	WASHER 5.3X10
EC 2638	COVER FOR TERMINAL BOX	EC PWM6	WASHER 6.4X11.5
EC 263946N-L	LIFT ASSEMBLY LEFT	EC PWM8	WASHER 8.4X15.5
EC 263946N-R	LIFT ASSEMBLY RIGHT	EC RM0408	SCREW M4X8
EC 2639N	A CLAMP	EC RM0508	SCREW M5X8
EC 2640	LIFT BELT CATCH	EC RM0535	SCREW M5X35
EC 2641	BAR LIFTER ROLLER	EC RM0615	SCREW M6X15
EC 2642	WHEEL RING	EC RM0630	SCREW M6X30
EC 2644A	SPRING FOR LIFT	EC SM0520	SCREW M5X20
EC 2645	SCREW	EC SM0620	SCREW M6X20
EC 2646	WASHER FOR SCREW	EC SM0630	SCREW M6X30
EC 264749N	RIGHT BAR LIFTER		
EC 264750N	LEFT BAR LIFTER		
EC 2647-A	BAR LIFTER PLATE		
EC 2647-BL	LEFT BAR		
EC 2647-BR	RIGHT BAR		
EC 2648	ROLLER		
EC 2648N	ROLLER FOR LIFT BELT		